

LONG STEM BALL VALVE
of carbon steel
with welded ends
38000 series

CONTROL



Description


Edition 05-07-2016

Ball valve series 38000 tested according to the EN488 standard and fulfill the requirements of this standard. Tight on-off valve suitable for liquid and air pipe systems. This valve is used amongst others in district heating networks and in industry. Ball valve with stem extension can be pre-insulated and installed underground. Stem heights according to customer request.

- Double sealing - two O-rings at the bottom of the stem, one changeable O-ring at the top.
- Stem cover pipe fully of stainless steel - improved protection against corrosion, flexibility for the height of insulation on the stem.

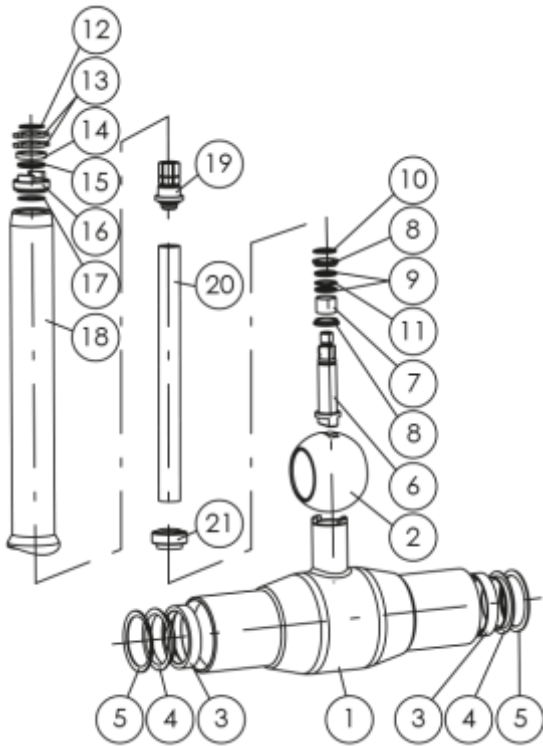
Valve can be operated by following ways:

- with a T-handle up to DN200,
- with a portable planetary gearbox,
- with a manual gearbox incl. bevel gear,
- with an electrical or hydraulic actuator.

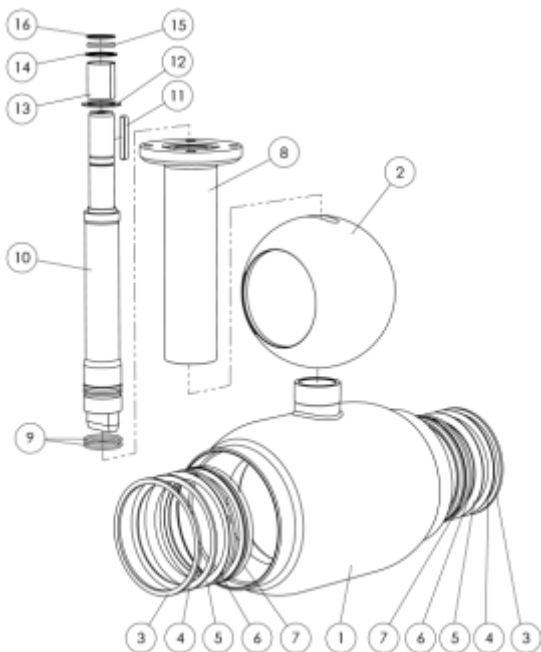
Nominal dimensions:	DN 25 – 800
Nominal pressure	DN 25 - 50 – PN40 DN 65 - 800 – PN25
Connection	weld ends
Tightness class ISO 5208, EN 12266-1	RATE A
Working temperature of liquid media	-20°C... +200°C – standard -40°C... +200°C – option
Safety	Conform to the requirements of the Council Directive 97/23/EC on Pressure Equipment. 



Exploded view, parts list



DN 25-150	
Part number	Part
1	Valve body
2	Ball
3	Ball seal
4	Support plate
5	Spring plate
6	Stem
7	Bush
8	Bush
9	O-ring
10	Retaining ring
11	Sliding ring
12	Retaining ring
13	Block stop
14	Bush
15	O-ring
16	Stem neck
17	Sliding ring
18	Cover tube
19	Top of stem
20	Middle tube
21	Bottom of stem



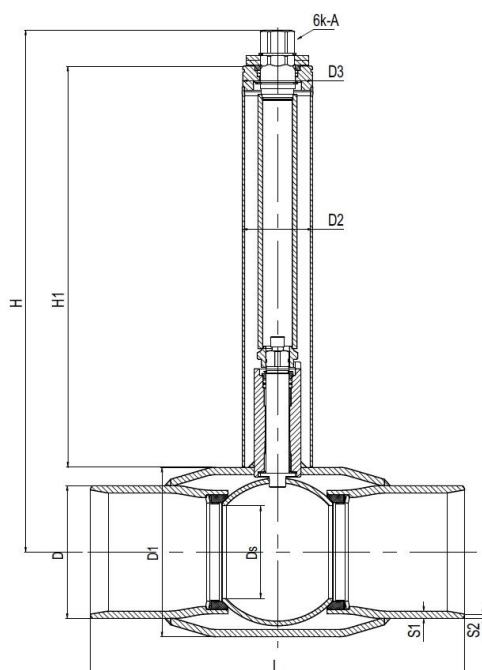
DN 200-350		
Part number	Part	qty
1	Valve body	1
2	Ball	1
3	Retaining ring	2
4	Spring plate	2
5	Support plate	2
6	O-ring	2
7	Ball seal	2
8	Stem bush extension	1
9	O-ring	2
10	Stem extension	1
11	Key	2
12	Sliding plate	1
13	Sliding bearing	1
14	Spacer plate	1
15	O-ring	1
16	Retaining ring	1



Standard materials

	DN 25-800
Body	Steel P235GH
Ball	Stainless steel 1.4301
Stem	Stainless steel 1.4305
Stem seals	FPM
Ball seals	PTFE+C
Operation	With a T-key or portable planet gear We recommend manual gear operation for sizes DN200 and larger

Dimensions



Stem can be made with special height (H=special)

DN	PN	D	D1	D2	D3	Ds	H	H1	6k-A	S1	S2	L	Weight kg
25	40	33.7	48.3	33.7	36	20	382	343	19	4	2.6	230	2.5
												1500	6
32	40	42.4	60.3	33,7	36	25	388	340	19	3,6	2.6	260	3
												1500	8
40	40	48.3	70	33.7	36	32	401	349	19	4.5	2.6	260	3.5
												1500	9
50	40	60.3	88.9	33,7	36	40	411	347	19	4	2.9	300	4.5
												1500	11
65	25	76.1	101.6	42.4	36	50	415	348	19	5	2.9	300	5.5
												1500	16
80	25	88.9	121	42,4	36	65	426	349	19	5,6	2.9	300	7
												1500	20
100	25	114.3	146	60.3	60	80	450	355	27	6.3	3.6	325	12
												1500	32
125	25	139,7	177,8	60,3	60	100	455	344	27	6,3	4	325	16
												1500	45



BLUE LINE

LONG STEM BALL VALVE
of carbon steel



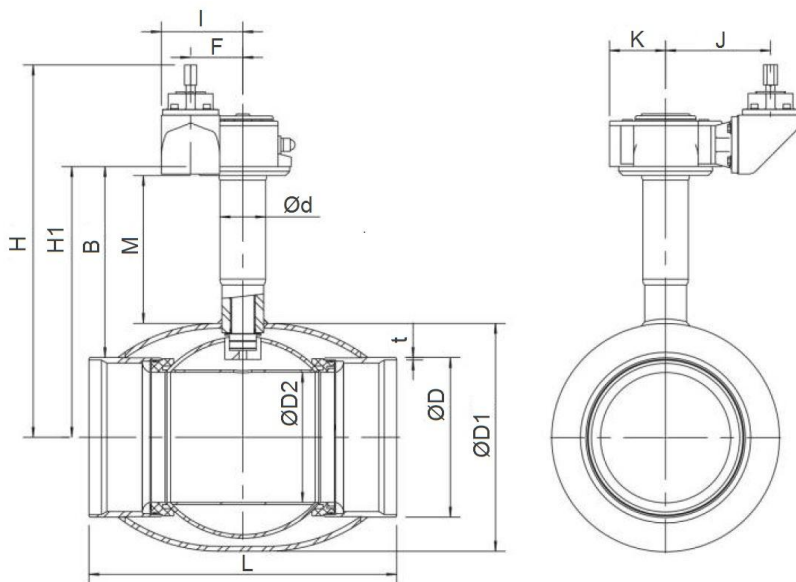
Valves

38000TR-N series

05-07-2016

150	25	168.3	219.1	60.3	60	125	475	344	27	7.1	4	350	22.5
												1500	55
200	25	219,1	273	76,1	-	150	518	350	50	7,1	4,5	400	52
												1500	83,5
250	25	273	355,6	88,9	-	200	599	350	50	8,8	5	530	86
												1500	130
300	25	323,9	457	88,9	-	250	610	350	50	8,8	5,6	550	121
												1800	192
350	25	355,6	508	102	-	290	635	350	50	12,5	5,6	686	190
400	25	406,4	610	115	-	340	687	350	50	12,5	7	762	280
500	25	508	660	140	-	390	720	350	-	14,2	7	914	470
600	25	610	813	194	-	489	799	350	-	-	7,1	1065	1050
700	25	711	965	273	-	589	1000	480	-	-	8	1205	2500
800	25	813	1125	273	-	684	1080	480	-	-	8,8	1330	3900

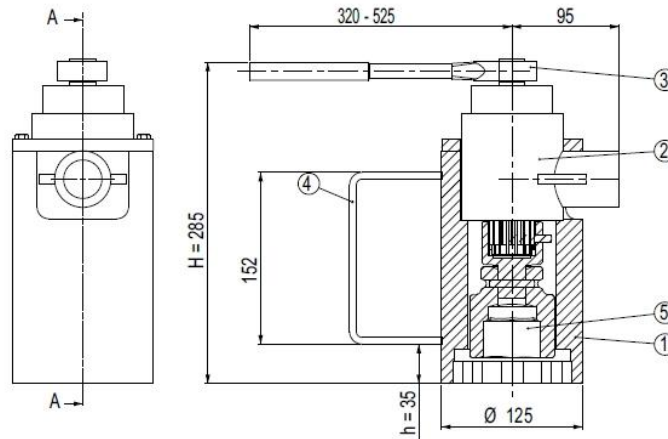
38000 TR-N DN200-800 series with manual gear



DN	PN	ØD	ØD1	ØD2	L	H	B	t	Ød	F	I	J	M	K	Weight kg
200	25	219,1	273	150	400	715	380	4,5	76,1	84	149	198	332	81	71
250	25	273	355,6	200	530	752	388	5	88,9	97	162	196	327	90	109
300	25	323,9	457	250	550	805	416	5,6	88,9	138	183	235	324	125	163
350	25	355.6	508	290	686	830	425	5,6	102	138	183	235	329	125	210
400	25	406.4	610	340	762	909	477	7	115	138	222	235	350	150	333
500	25	508	660	390	914	941	466	7	140	180	264	266	350	188	495
600	25	610	813	489	1065	1020	494	7,1	194	180	264	266	350	175	1090
700	25	711	965	589	1205	1243	645	8	273	253	335	498	480	255	2627
800	25	813	1125	684	1330	1332	645	8,8	273	253	362	420	480	255	3940



Planetary gearbox



Pos	Part
1	Body
2	Planetary gearbox
3	Ratchet handle
4	Handle
5	Socket (hex.50)

In case using planetary gearbox with valves DN100-150 the socket (part 5) should be replaced with a smaller one (hex.27) and long stem valve should be supplied with a mounting flange (hex.90) and a locking ring.

In case the stem is located too deep and you are not able to reach that, there should be used a loose stem extension and a portable planetary gearbox.

How to order

		3	8	000	M
Body material:	3 - Carbon steel				
Valve type:	8 - ball valve with long stem				
Connection:	000 - welded end				
Operation:	(_) - handlever, (Z) - bare shaft, (M) - manual gear				

Product codes

	Ball valve series 38000
Handlever	38000TR-N _ _
Bare shaft	38000TR-N _ _ Z
Manual gear	38000TR-N _ _ M