

**BALL VALVE of carbon steel
FOR STEAM**
with welded ends / threaded ends / flanges
39000 - 39500 series

CONTROL



Description

Edition 05-07-2016

Ball valve series 39000 - 39500 is a tight on-off valve and is especially suitable for steam, condensate, hot oil, gas and other non-corrosive media. This valve is used amongst others in district heating networks and in industry.

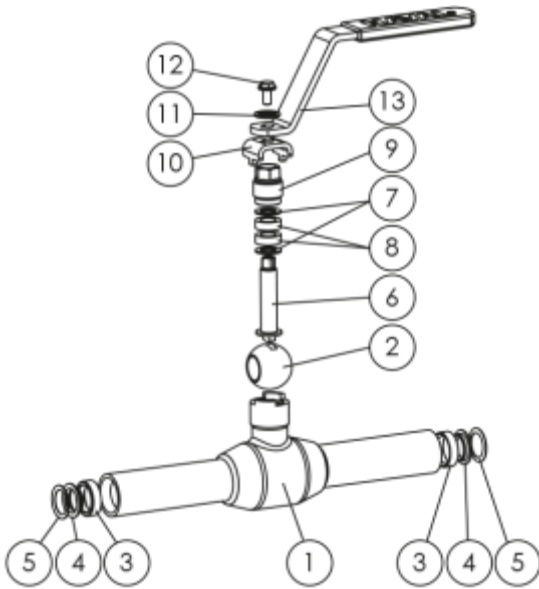
All-welded ball valve is made of carbon steel. Floating ball and blow-out proof stem are made of stainless steel. Ball sealing is of Teflon PTFE+GF.

Nominal dimensions:	39000TR-N, 39500TR-N – DN 15 - 250, 39200TR-N, 39300TR-N – DN 15 - 50,
Nominal pressure	39000TR-N, DN 15 - 50 – PN 40 bar DN 65 - 250 – PN 25 bar
	39200TR-N, DN 15 - 50 – PN 40 bar
	39300TR-N, DN 15 - 50 – PN 40 bar
	39500TR-N, DN 15 – 50 – PN 40 bar DN 65 – 250 – PN 25 bar DN 125 – 250 – PN 16 bar (Available PN 10,16,25,40)
Connection	39000TR-N series – weld ends 39200TR-N series – threaded socket / weld end 39300TR-N series – threaded ends 39500TR-N series – flanges: EN1092-1
Tightness class ISO 5208, EN 12266-1	RATE A
Working temperature of liquid media	-20°C... +250°C – standard -40°C... +250°C – option
Safety	Conform to the requirements of the Council Directive 97/23/EC on Pressure Equipment.

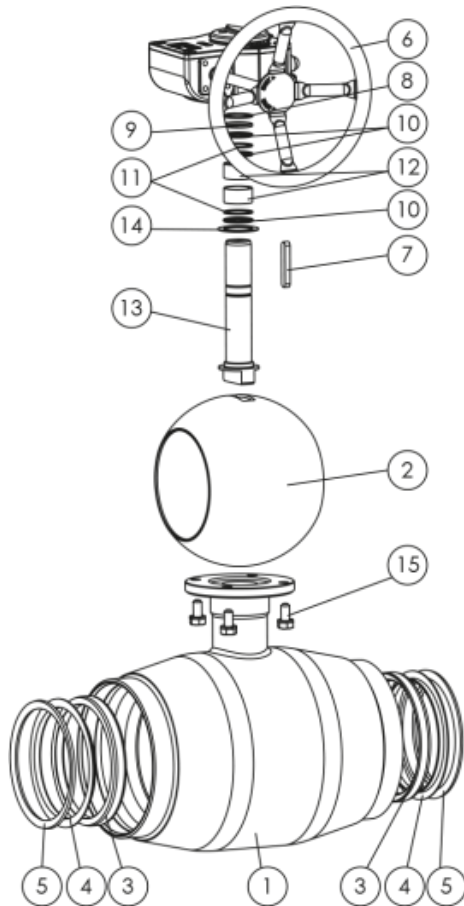




Exploded view, parts list



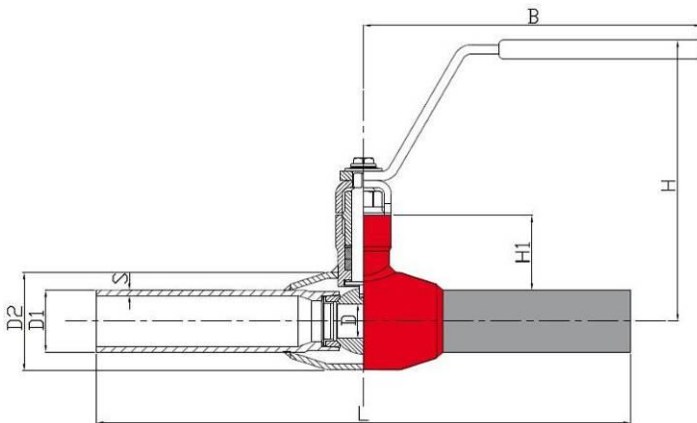
DN 15-50	
Part number	Part
1	Valve body
2	Ball
3	Ball seal
4	Support plate
5	Spring plate
6	Stem
7	Bush
8	Graphite ring
9	Clamp bush
10	Block stop
11	Contact-plate
12	Screw
13	Handle



DN 125-300 with actuator	
Part number	Part
1	Valve body
2	Ball
3	Ball seal
4	Support ring
5	Spring plate
6	Actuator
7	Key
8	Retaining ring
9	Bush
10	O-ring
11	Distance plate
12	Bush
13	Stem
14	Sliding plate
15	Screw and washer

**Standard materials**

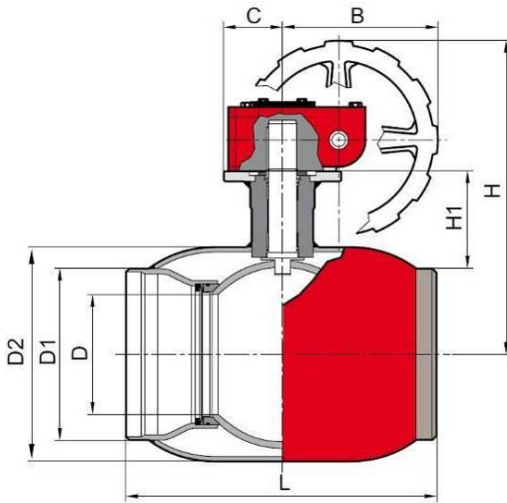
	DN 15-50	DN 65-300
Body	Steel P235GH	Steel P235GH
Ball	Stainless steel 1.4404	Stainless steel 1.4301
Stem	Stainless steel 1.4057	Stainless steel 1.4305
Stem seals	Graphite	KALDREZ / EPDM
Ball seals	PTFE+GF	
Operation	DN 10-250 with galvanized steel handle. We recommend manual gear operation for sizes DN 125 and larger. DN 250 and larger without handle. Valves are available with manual gear, electric actuator or hydraulic actuator.	

39000TR-N with hand lever

DN	PN	L	D	D1	D2	H	H1	B	S	Weight kg
15	40	230	10	21,3	33,7	117	31	145	2	0,7
20	40	230	15	26,9	42,4	121	33	145	2,3	0,9
25	40	230	20	33,7	48,3	139	46	145	2,6	1,4
32	40	260	25	42,4	60,3	142	45	145	2,6	1,6
40	40	260	32	48,3	70	143	50	276	2,6	2,5
50	25	300	40	60,3	88,9	150	50	276	2,9	3,4
65	25	300	50	76,1	101,6	159	61	278	2,9	4,1
80	25	300	65	88,9	121	171	68	278	3,2	5,4
100	25	325	80	114,3	146	218	100	278	3,6	8,5
125	25	325	100	139,7	177,8	253	101	400	4	15,2
150	25	350	125	168,3	219,1	272	107	600	4	20,4
200	25	400	150	219,1	273	281	92	870	4,5	37,5
250	25	530	200	273	355,6	343	108	1200	5	75

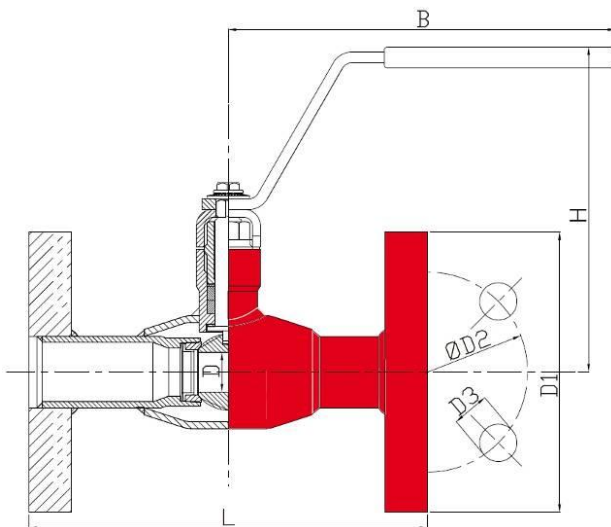


39000 TR-N series with manual gear



DN	PN	L	D	D1	D2	H	B	C	H1	Weight kg
125	25	325	100	139,7	177,8	317	153	53	113	20
150	25	350	125	168,3	219,1	337	153	53	119	25
200	25	400	150	219,1	273	393	194	69	92	49
250	25	530	200	273	355,6	444	247	97	108	94

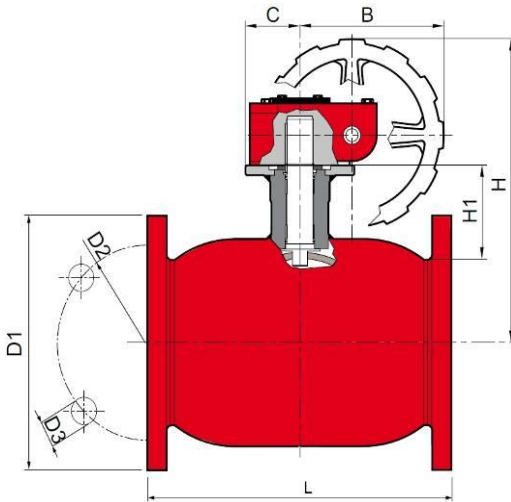
Dimensions. 39500TR-N series valve



DN	PN	L	D	D1	D2	D3	H	B	Weight kg
15	40	130	10	95	65	14	117	145	2
20	40	150	15	105	75	14	121	145	2,6
25	40	160	20	115	85	14	139	145	3,4
32	40	180	25	140	100	18	142	145	5
40	40	200	32	150	110	18	143	276	6,5
50	40	230	40	165	125	18	150	276	8,5
65	25	270	50	185	145	18	159	278	11
80	25	280	65	200	160	18	170	278	14
100	25	300	80	235	190	22	218	278	20,2
125	25	325	100	270	220	26	253	400	30
150	25	350	125	300	250	26	272	600	39
200	25	400	150	360	310	26	282	870	65
250	25	530	200	425	370	30	349	1200	112



39500TR-N series with manual gear



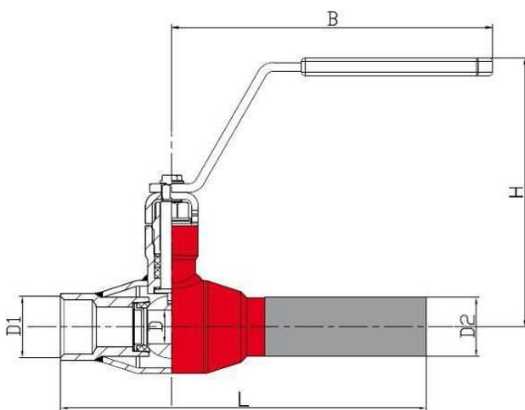
Opening and closing of the valves from the hand wheel.
The position of ball can be seen on a position indicator on top of the gear.

DN	L	D	D1		D2		D3		H	B	C	H1		Weight kg	
			PN 16	PN 25	PN 16	PN 25	PN 16	PN 25				PN 16	PN 25	PN 16	PN 25
125	325	100	250	270	210	220	18	26	316	153	53	112	112	30	35
150	350	125	285	300	240	250	22	26	336	153	53	118	118	37	44
200	400	150	340	360	295	310	22	26	369	194	69	92	92	68	78
250	500	200	405	425	355	370	26	30	444	247	97	108	108	122	134

Flanges: EN 1092-1

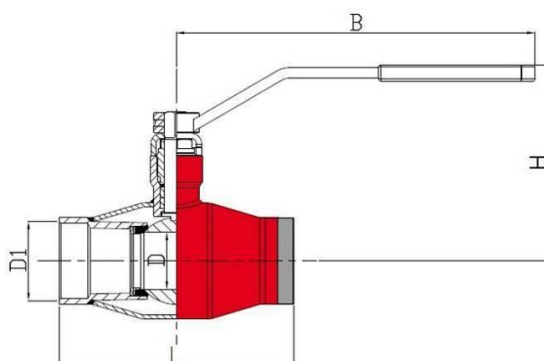
Face to face dimensions: EN558-1

39200TR-N series valve



DN	PN	L	D	D1	D2	H	B	kg
15	40	158	10	R 1/2	21,3	117	145	0,7
20	40	168	15	R 3/4	26,9	122	145	0,8
25	40	172	20	R 1	33,7	138	145	1,2
32	40	195	25	R 1 1/4	42,4	142	145	1,5
40	40	205	32	R 1 1/2	48,3	143	276	2,5
50	40	240	40	R 2	60,3	150	276	3,4

39300TR-N series valve

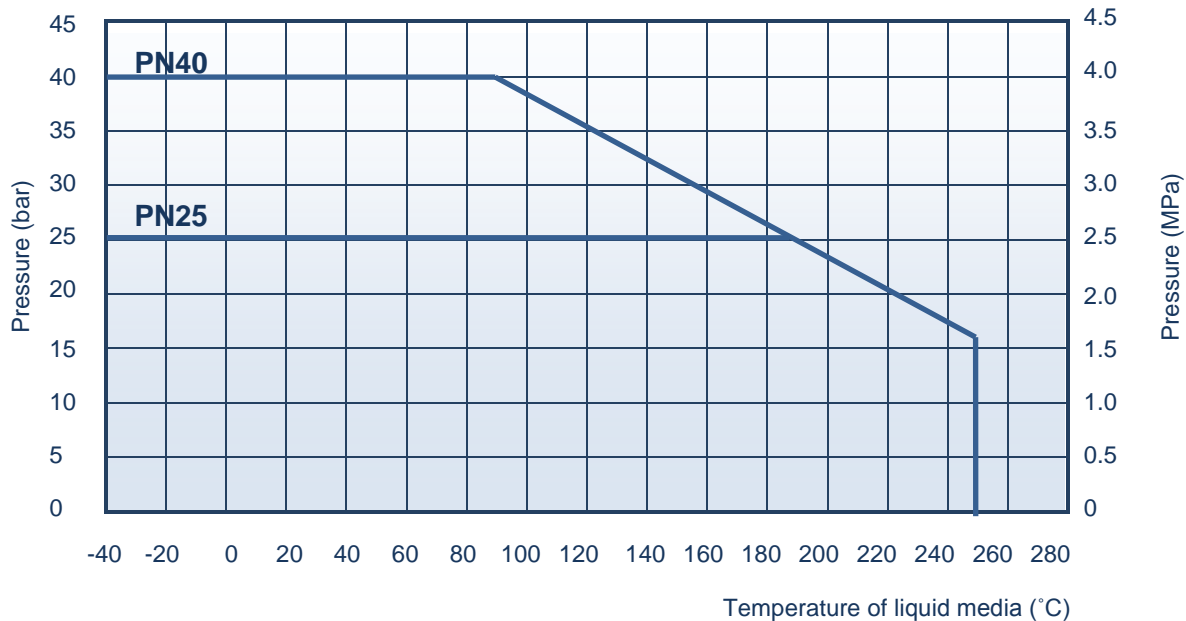


DN	PN	L	D	D1	H	B	kg
15	40	85	10	R 1/2	118	145	0,5
20	40	100	15	R 3/4	122	145	0,6
25	40	115	20	R 1	138	145	0,9
32	40	130	25	R 1 1/4	142	145	1,2
40	40	150	32	R 1 1/2	143	276	2,1
50	40	180	40	R 2	150	276	2,8



Pressure / Temperature Rating

The max pressure difference depends on the working temperature.



If working temperature below -20°C, it must be mentioned in order.

Table of recommended actuators

DN	Pneumatic actuator, Remote Control	Manual gear	Electric actuator AUMA
15	RC210-SR(RC210-DA)		SG04
20	RC220-SR(RC210-DA)		SG04
25	RC230-SR(RC220-DA)		SG04
32	RC240-SR(RC220-DA)		SG04
40	RC240-SR(RC230-DA)		SG04
50	RC250-SR(RC230-DA)		SG05
65	RC250-SR(RC240-DA)		SG05
80	RC260-SR(RC240-DA)		SG07
100	RC260-SR(RC250-DA)		SG07
125	RC260-SR(RC250-DA)		SG07
150	RC270-SR(RC260-DA)		SG10
200	RC270-SR(RC260-DA)	Q-800S-W250/15	SG12.1
250	RC280-SR(RC270-DA)	Q-2000S-W300/20	SA07.6-VZ4.3/GS100.3
300	(RC280-DA)	Q-4000S-W600/20	SA10.2-VZ4.3/GS125.3



BLUE LINE

BALL VALVE of carbon steel
for **STEAM**



Valves

39000TR-N / 39200TR-N / 39300TR-N / 39500TR-N series

05-07-2016

Kv-value table

Size	15	20	25	32	40	50	65	80	100	125	150	200	250	300
Kv-value	6	14	26	41	67	105	182	315	420	650	1070	1420	2620	5820

How to order

		3	9	000	M
Body material:	3 - Carbon steel				
Valve type:	9 - ball valve for steam				
Connection:	000 - welded end 200 - welded end / threaded 300 - threaded 500 - flanged				
Operation:	(_) - handlever, (Z) - bare shaft, (M) - manual gear				

Product codes

	Ball valve series 39000-39500
Handlever	39000TR-N _ _
Bare shaft	39000TR-N _ _ Z
Manual gear	39000TR-N _ _ M