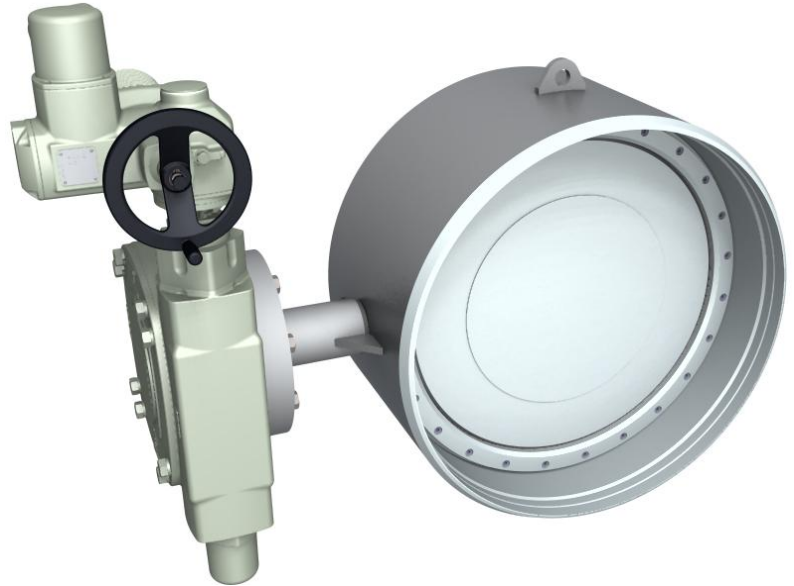


BUTTERFLY VALVE

stainless steel
with welded ends
41300 series




Description

Edition 04-05-2016

The welded butterfly valve 41300 is specially designed for district heating and district cooling. Valve used also in the chemical and process industries. It is used for oil, acid-base liquid media and gases as well as in applications requires higher resistance against corrosion. It can be used as an on-off or control valve. Högfors butterfly valve is tight and tested in both flow directions.

The body of the butterfly valve with weld ends, the eccentric disc and shafts are made of stainless steel. Replaceable seat ring is hard chrome plated stainless steel. The shaft packing box is a combination of graphite rings and O-rings which are possible to tighten while in pipeline and are also replaceable.

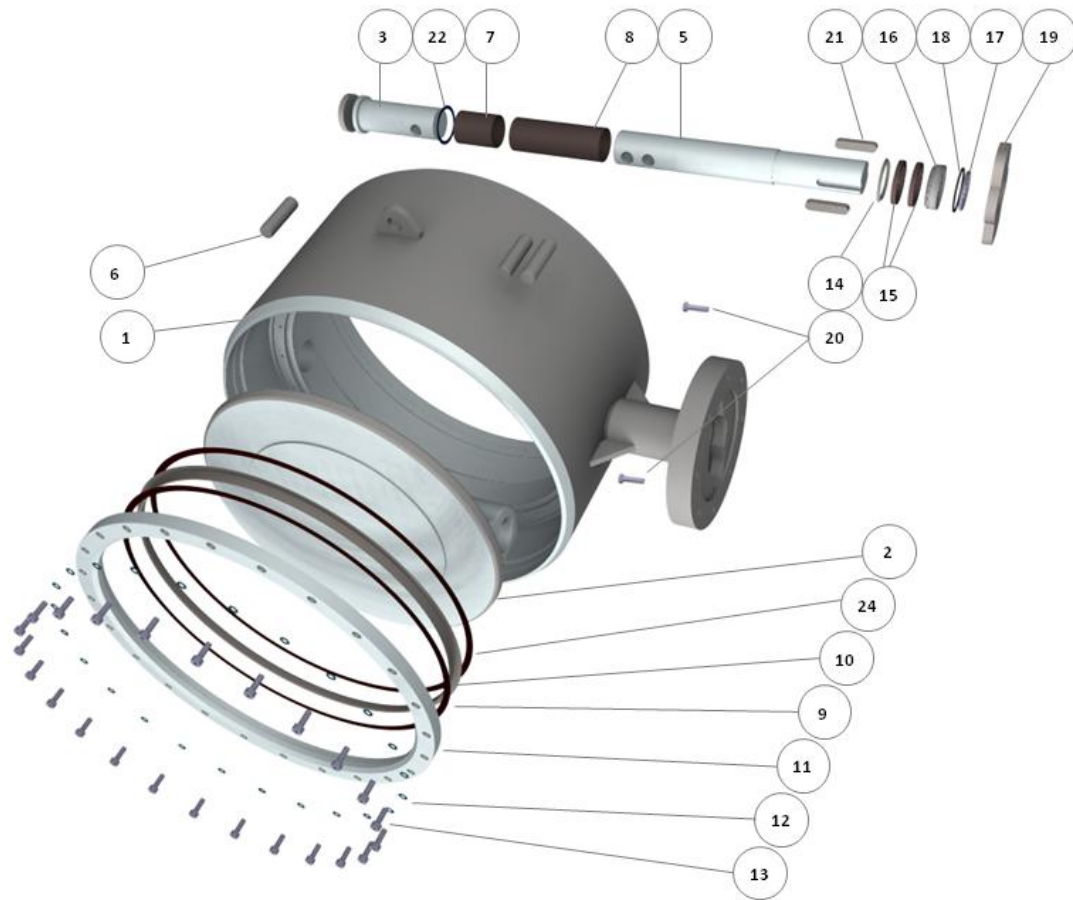
Nominal dimensions *	DN 200 - 1400	DN 200 - 800
Nominal pressure	PN 25 bar	PN 25 bar
Disk seal	Stainless steel (CS)	PTFE+C (TS)
Closing pressure (ΔP)	ΔP 16 bar or 25 bar	ΔP 16 bar or 25 bar
Tightness class ISO 5208, EN 12266-1	Rate B – standard Rate A – option	Rate A
Working temperature of liquid media ** (version for steam also available)	260°C/ -40°C	180°C/ -40°C
Connection	Weld end: The pipe according to standard DIN or GOST	
Safety	Conform to the requirements of the Council Directive 97/23/EC on Pressure Equipment, marking: Class: gas, group 1. 	

*) Valves fulfill the structural integrity requirements of the EN 488:2011.

**) Wider temperature range is available.

Consult factory for details.

Exploded view



Parts list and standard materials

	Part	Material	
1	Body	Stainless steel AISI 316, 1.4404, AISI 304, 1.4301	
2	Disk	Stainless steel EN10213-4 1.4408, ASTM A351 CF8M, SS2324	
3	Subshaft	Stainless steel 1.4460 / 1.4418	
5	Main shaft	Stainless steel 1.4460 / 1.4418	
6	Pin	Stainless steel 1.4462	
7	Subshaft bearing	PTFE on stainless steel net	
8	Stem bearing	PTFE on stainless steel net	
9,24	Shim	Carbon Fiber / Graphite	Graphite for steam version
10	Seat ring	Hard Chrome plated stainless steel AISI 316L or PTFE+C	Special material by request
11	Retaining ring	Stainless steel ASTM A351 CF8M, 1.4404	
12, 13	Socket screw and washer	Stainless steel ISO 3506 A4-80	
14	Back-up-ring	Stainless steel 1.4404	
15	Box packing	Graphite	
16	Shaft seal bushing	Stainless steel 1.4404	
17,18	O-ring	EPDM / FPM	Not fitted in version for steam
19	Gland	Stainless steel 1.4436 / 1.4404	
20	Hexagonal screw	Stainless steel ISO 3506 A4-80	
21	Key	Carbon steel	
22	Bearing plate	PTFE on stainless steel net	